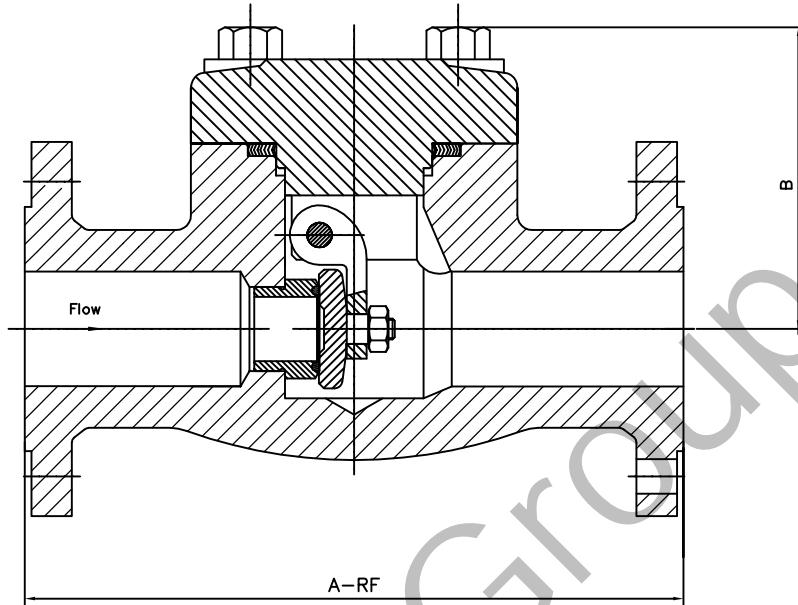


Swing Check Valve Class 600 – ARTEK GROUP SRL



DESIGN AND MATERIALS ACC.TO NACE 0175/ISO 15156 LATEST EDITION
 FLANGED AND CONNECTIONS ACC.TO ANSI B16.5 / ANSI B16.25
 FACE TO FACE ACC.TO ANSI B16.10
 FLANGE FACING ACC.TO SMOOTH FINISH 125-250 AARH
 VALVE DESIGN API 600
 FULLY COMPLIANCE WITH PED 97/23/EC
 TEST AND INSPECTION API 598
 PRESSURE AND TEMP.RATING ANSI B16.34

Typical Bill for SWING CHECK

| Component | TY1 | TY2 | TY3 | Component | TY1 | TY2 | TY3 |
|--------------|--------------------|----------------------|----------------------|------------|-----------------|-----------------|-----------------|
| Body | ASTM A216WCB | ASTM A351CF8M | ASTM A351CF3M | Name Plate | Stainless Steel | Stainless Steel | Stainless Steel |
| Cover | ASTM A105 | ASTM A182F304L | ASTM A182F316L | Cover Bolt | ASTM A193-B7 | ASTM A193-B8 | ASTM A193-B8M |
| Disc | ASTM A216WCB+STL.6 | ASTM A351CF8M+STL.6 | ASTM A351CF3M+STL.6 | Cover Nuts | ASTM A194-2H | ASTM A194-GR.8 | ASTM A194-GR.8M |
| Swing Arm | ASTM A216WCB | ASTM A351CF8M | ASTM A351CF3M | Disc Pin | ASTM A182F6 | ASTM A182F304L | ASTM A182F316L |
| Seat Ring | ASTM A182F6+STL.6 | ASTM A182F304L+STL.6 | ASTM A182F316L+STL.6 | Disc Nut | ASTM A194-2H | ASTM A194-GR.8 | ASTM A194-GR.8M |
| Cover Gasket | SS316+Graphite | SS316+Graphite | SS316+Graphite | | | | |
| Hinge Pin | ASTM A182F6 | ASTM A182F304L | ASTM A182F316L | | | | |

Class 600

| Size | nps | 2 | 2.5 | 3 | 4 | 5 | 6 | 8 | 10 | 12 | 14 | 16 | 18 | 20 | 24 |
|------|-----|------|------|------|------|------|------|------|------|------|------|------|------|------|-------|
| | dn | 50 | 65 | 80 | 100 | 125 | 150 | 200 | 250 | 300 | 350 | 400 | 450 | 500 | 600 |
| A-RF | in | 7.0 | 7.5 | 8.0 | 9.0 | 10.0 | 10.5 | 11.5 | 13.0 | 14.0 | 15.0 | 16.0 | 17.0 | 18.0 | 20.0 |
| | mm | 178 | 191 | 203 | 229 | 254 | 267 | 292 | 330 | 356 | 381 | 406 | 432 | 457 | 508 |
| A-BW | in | 8.5 | 9.5 | 11.1 | 12.0 | 15.0 | 15.9 | 16.5 | 18.0 | 19.8 | 22.5 | 24.0 | 26.0 | 28.0 | 32.0 |
| | mm | 216 | 241 | 282 | 305 | 381 | 404 | 419 | 457 | 503 | 572 | 610 | 660 | 711 | 813 |
| B | in | 14.8 | 17.1 | 18.2 | 22.6 | 28.1 | 33.2 | 38.9 | 46.4 | 54.6 | 63.5 | 72.4 | 79.2 | 86.0 | 100.8 |
| | mm | 376 | 434 | 462 | 574 | 714 | 843 | 988 | 1179 | 1387 | 1613 | 1839 | 2012 | 2184 | 2560 |
| RF | lbs | 46 | 56 | 71 | 111 | 163 | 196 | 289 | 449 | 639 | 860 | 1190 | 1389 | 1786 | 2602 |
| Wt. | kg | 21 | 25 | 32 | 50 | 74 | 89 | 131 | 204 | 290 | 391 | 541 | 631 | 812 | 1183 |
| BW | lbs | 40 | 46 | 58 | 91 | 152 | 180 | 259 | 425 | 584 | 811 | 1146 | 1349 | 1720 | 2534 |
| Wt. | kg | 18 | 21 | 26 | 41 | 69 | 82 | 118 | 193 | 265 | 369 | 521 | 613 | 782 | 1152 |