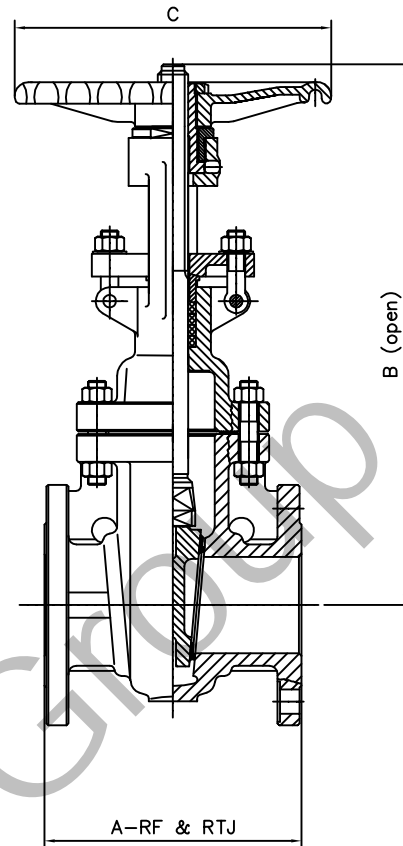


Gate Valve Class 300 – ARTEK GROUP SRL



DESIGN AND MATERIALS ACC.TO NACE 0175/ISO 15156 LATEST EDITION
 FLANGED AND CONNECTIONS ACC.TO ANSI B16.5 / ANSI B16.25
 FACE TO FACE ACC.TO ANSI B16.10
 FLANGE FACING ACC.TO SMOOTH FINISH 125-250 AARH
 VALVE DESIGN API 600
 FULLY COMPLIANCE WITH PED 97/23/EC
 TEST AND INSPECTION API 598
 PRESSURE AND TEMP.RATING ANSI B16.34

Typical Bill for GATE

| Component | TY1 | TY2 | TY3 | Component | TY1 | TY2 | TY3 |
|-------------------|-------------------------|-------------------------|-------------------------|-----------------|-----------------|-----------------|-----------------|
| Body | ASTM A216WCB | ASTM A351CF8M | ASTM A351CF3M | Gland Flange | ASTM A216WCB | ASTM A351CF8M | ASTM A351CF3M |
| Seat Rings | ASTM A182F6+STL.6 | ASTM A182F304L+STL.6 | ASTM A182F316L+STL.6 | Gland Bolt Pins | ASTM A105 | ASTM A182F304L | ASTM A182F316L |
| Wedge | ASTM A216WCB+STL.6 | ASTM A351CF8M+STL.6 | ASTM A351CF3M+STL.6 | Gland Bolts | ASTM A193-B7 | ASTM A193-B8 | ASTM A193-B8M |
| Stem | ASTM A182F6 | ASTM A182F304L | ASTM A182F316L | Gland Nuts | ASTM A194-2H | ASTM A194-GR.8 | ASTM A194-GR.8M |
| Bonnet | ASTM A216WCB | ASTM A351CF8M | ASTM A351CF3M | Nameplate | Stainless Steel | Stainless Steel | Stainless Steel |
| Bonnet Gasket | SS316+Graphite | SS316+Graphite | SS316+Graphite | Grease Fitting | ASTM A105 | ASTM A182F304L | ASTM A182F316L |
| Bonnet Nuts | ASTM A194-2H | ASTM A194-GR.8 | ASTM A194-GR.8M | Yoke Bushing | ASTM A105 | ASTM A182F304L | ASTM A182F316L |
| Bonnet Studs | ASTM A193-B7 | ASTM A193-B8 | ASTM A193-B8M | Handwheel | Ductile Iron | ATSM A105 | ASTM A105 |
| Back Seat Bushing | ASTM A182F6 | ASTM A182F304L | ASTM A182F316L | Handwheel Nut | ASTM A194-2H | ASTM A194-GR.8 | ASTM A194-GR.8M |
| Packing | Braded & Flex. Graphite | Braded & Flex. Graphite | Braded & Flex. Graphite | Set Screw | ASTM A106-GR.8 | ASTM A182F304L | ASTM A182F316L |
| Gland | ASTM A105 | ASTM A182F304L | ASTM A182F316L | | | | |

Class 300

| Size | nps | 2 | 2.5 | 3 | 4 | 5 | 6 | 8 | 10 | 12 | 14 | 16 | 18 | 20 | 24 |
|------|-----|------|------|------|------|------|------|------|------|-------|------|------|------|------|-------|
| | dn | 50 | 65 | 80 | 100 | 125 | 150 | 200 | 250 | 300 | 350 | 400 | 450 | 500 | 600 |
| A-RF | in | 8.5 | 9.5 | 11.1 | 12.0 | 15.0 | 15.9 | 16.5 | 18.0 | 19.75 | 30.0 | 33.0 | 36.0 | 39.0 | 45.0 |
| | mm | 216 | 241 | 282 | 305 | 381 | 404 | 419 | 457 | 502 | 762 | 838 | 914 | 991 | 1143 |
| A-BW | in | 8.5 | 9.5 | 11.1 | 12.0 | 15.0 | 15.9 | 16.5 | 18.0 | 19.75 | 30.0 | 33.0 | 36.0 | 39.0 | 45.0 |
| | mm | 216 | 241 | 282 | 305 | 381 | 404 | 419 | 457 | 502 | 762 | 838 | 914 | 991 | 1143 |
| B | in | 17.2 | 19.1 | 20.0 | 24.0 | 29.6 | 33.0 | 41.1 | 49.3 | 57.0 | 67.0 | 73.1 | 82.2 | 95.5 | 104.7 |
| | mm | 437 | 485 | 508 | 610 | 752 | 838 | 1044 | 1252 | 1448 | 1702 | 1857 | 2088 | 2426 | 2659 |
| C | in | 8.0 | 10.0 | 10.0 | 12.0 | 13.7 | 16.0 | 18.0 | 20.0 | 22.0 | 25.2 | 27.0 | 27.0 | 30.0 | 30.0 |
| | mm | 203 | 254 | 254 | 305 | 350 | 406 | 457 | 508 | 559 | 640 | 686 | 686 | 762 | 762 |
| RF | lbs | 64 | 88 | 112 | 175 | 258 | 340 | 542 | 816 | 1072 | 1764 | 2183 | 2867 | 3682 | 5645 |
| Wt. | kg | 29 | 40 | 51 | 80 | 117 | 155 | 246 | 371 | 487 | 802 | 992 | 1303 | 1674 | 2566 |
| BW | lbs | 51 | 68 | 86 | 154 | 207 | 269 | 430 | 620 | 871 | 1323 | 1830 | 2381 | 3109 | 4873 |
| Wt. | kg | 23 | 31 | 39 | 70 | 94 | 122 | 195 | 282 | 396 | 601 | 832 | 1082 | 1413 | 2215 |