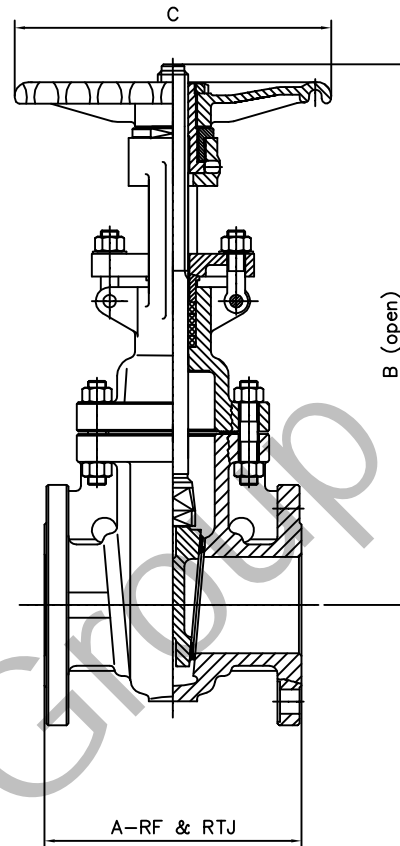


Gate Valve Class 1500 – ARTEK GROUP SRL



DESIGN AND MATERIALS ACC.TO NACE 0175/ISO 15156 LATEST EDITION
 FLANGED AND CONNECTIONS ACC.TO ANSI B16.5 / ANSI B16.25
 FACE TO FACE ACC.TO ANSI B16.10
 FLANGE FACING ACC.TO SMOOTH FINISH 125-250 AARH
 VALVE DESIGN API 600
 FULLY COMPLIANCE WITH PED 97/23/EC
 TEST AND INSPECTION API 598
 PRESSURE AND TEMP.RATING ANSI B16.34

Typical Bill for GATE

Component	TY1	TY2	TY3	Component	TY1	TY2	TY3
Body	ASTM A216WCB	ASTM A351CF8M	ASTM A351CF3M	Gland Flange	ASTM A216WCB	ASTM A351CF8M	ASTM A351CF3M
Seat Rings	ASTM A182F6+STL.6	ASTM A182F304L+STL.6	ASTM A182F316L+STL.6	Gland Bolt Pins	ASTM A105	ASTM A182F304L	ASTM A182F316L
Wedge	ASTM A216WCB+STL.6	ASTM A351CF8M+STL.6	ASTM A351CF3M+STL.6	Gland Bolts	ASTM A193-B7	ASTM A193-B8	ASTM A193-B8M
Stern	ASTM A182F6	ASTM A182F304L	ASTM A182F316L	Gland Nuts	ASTM A194-2H	ASTM A194-GR.8	ASTM A194-GR.8M
Bonnet	ASTM A216WCB	ASTM A351CF8M	ASTM A351CF3M	Nameplate	Stainless Steel	Stainless Steel	Stainless Steel
Bonnet Gasket	SS316+Graphite	SS316+Graphite	SS316+Graphite	Grease Fitting	ASTM A105	ASTM A182F304L	ASTM A182F316L
Bonnet Nuts	ASTM A194-2H	ASTM A194-GR.8	ASTM A194-GR.8M	Yoke Bushing	ASTM A105	ASTM A182F304L	ASTM A182F316L
Bonnet Studs	ASTM A193-B7	ASTM A193-B8	ASTM A193-B8M	Handwheel	Ductile Iron	ATSM A105	ASTM A105
Back Seat Bushing	ASTM A182F6	ASTM A182F304L	ASTM A182F316L	Handwheel Nut	ASTM A194-2H	ASTM A194-GR.8	ASTM A194-GR.8M
Packing	Braded & Flex. Graphite	Braded & Flex. Graphite	Braded & Flex. Graphite	Set Screw	ASTM A106-GR.8	ASTM A182F304L	ASTM A182F316L
Gland	ASTM A105	ASTM A182F304L	ASTM A182F316L				

Class 1500

Size	nps	2	2.5	3	4	6	8	10	12
	dn	50	65	75	100	150	200	250	300
A-RF	in	14.5	16.5	18.5	21.5	27.8	32.75	39.0	44.5
	mm	368	419	470	546	706	832	991	1130
A-BW	in	14.5	16.5	18.5	21.5	27.8	32.75	39.0	44.5
	mm	368	419	470	546	706	832	991	1130
A-RTJ	in	14.62	16.62	18.62	21.62	28.0	33.13	39.38	45.12
	mm	371	422	473	549	711	841	1000	1146
B	in	21.7	26.0	28.5	32.6	39.3	48.1	66.5	82.3
	mm	551	660	724	828	998	1223	1688	2090
C	in	11.8	11.8	15.75	19.6	23.6	30.0	30.0	35.0
	mm	300	300	400	500	600	760	760	889
RF	lbs	128	163	209	423	978	1625	4412	8414
Wt.	kg	58	74	95	192	445	739	2001	3816
BW	lbs	106	137	174	352	870	1650	3541	7080
Wt.	kg	48	62	79	160	395	750	1606	3211