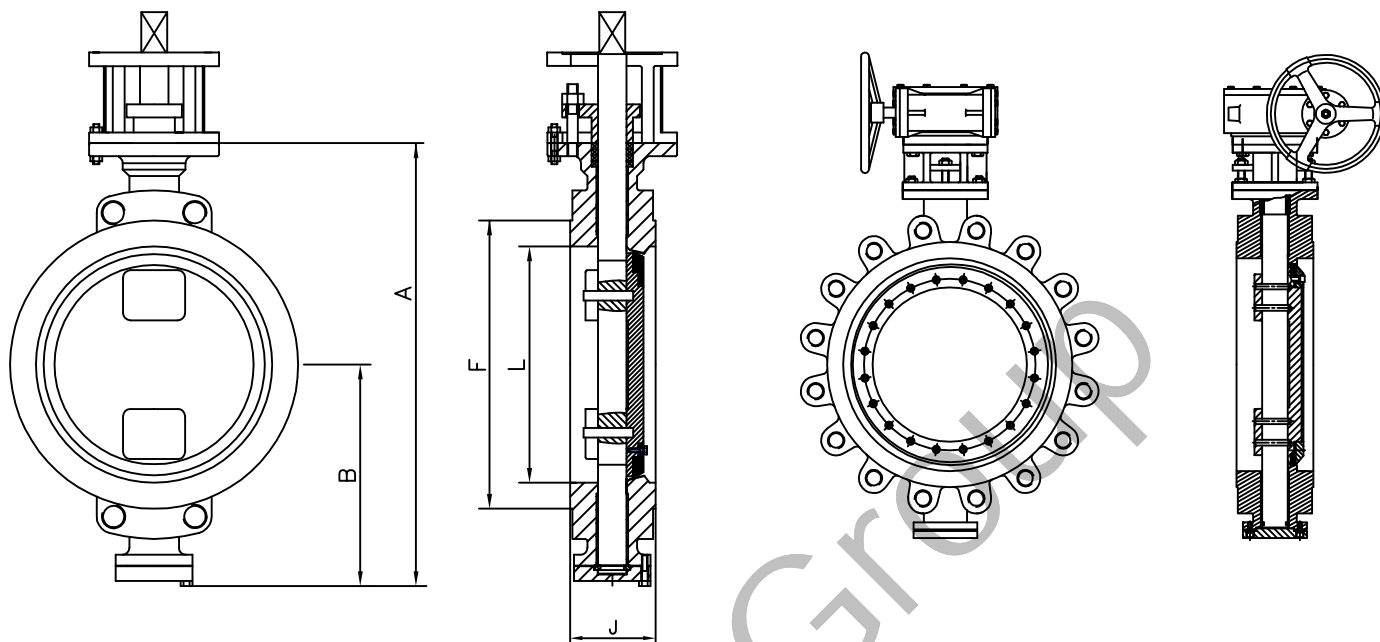


Butterfly Valve Class 300 – ARTEK GROUP SRL



Typical Bill for BUTTERFLY WAFER and LUG SOFT SEATED

Component	TY White PTFE/PTFE	TY Red PTFE/SS316	TY Blue Rubber/G.25-GS400
Body	G.25/GS.400/Carb. Steel/SS304-SS316L	G.25/GS.400/Carb. Steel/SS304-SS316L	G.25/GS.400/Carb. Steel/SS304-SS316L
Disc	GS.25 Coated PTFE	ASTM A351CF3M	GS.25/GS.400/G.25 Powder Coated
Stem	SS316L	SS316L	SS416
Seat	PTFE	PTFE	EPDM/Viton/Buna/Silicone/PTFE
Seal	Buna/Viton	Buna/Viton	Buna/Viton
Stop Pin	SS316L	SS316L	SS416
Cap Screw	ASTM A105/SS316L	ASTM A105/SS316L	ASTM A105/SS316L
Level Operator	2" Thru 6" Included	2" Thru 6" Included	2" Thru 6" Included
Gear Operator	6" Optional and Larger	6" Optional and Larger	6" Optional and Larger

Typical Bill for BUTTERFLY WAFER / LUG METAL to METAL

Component	TY Grey Double/Triple Eccentric
Body	ASTM A216WCB/A351CF8M-CF3M/BZ-ALL/Duplex/Super Duplex
Disc	ASTM A216WCB/A351CF8M-CF3M/BZ-ALL/Duplex/Super Duplex
Stem	ASTM A182F6/SS304/SS316L/A182F51/A182F55
Seat	STL6/SS316L
Seal	Lamellar Ring/V-Ring Hastelloy C-276
Stop Pin	ASTM A182F6/SS304/SS316L/A182F51/A182F55
Cap Screw	ASTM A105/SS304/SS316L/A182F51/A182F55
Level Operator	N/A
Gear Operator	For All Sizes

Class 300

Size	nps	3	4	5	6	8	10	12	14	16	18	20	24
	dn	80	100	125	150	200	250	300	350	400	450	500	600
A	mm	260	280	345	377	450	521	602	689	755	825	922	1045
B	mm	125	130	170	185	220	255	300	335	370	415	450	525
F	mm	168,3	200,0	234,9	269,9	330,2	387,3	450,8	514,3	571,5	628,6	685,6	812,8
L max	mm	61	82	107	132	175	223	272	336	374	430	524	
J	mm	48	54	60,5	60,5	73	83	92	117	133	149	159	181
Weight	kg	18	25	31	35	52	84	98	125	212	275	322	524