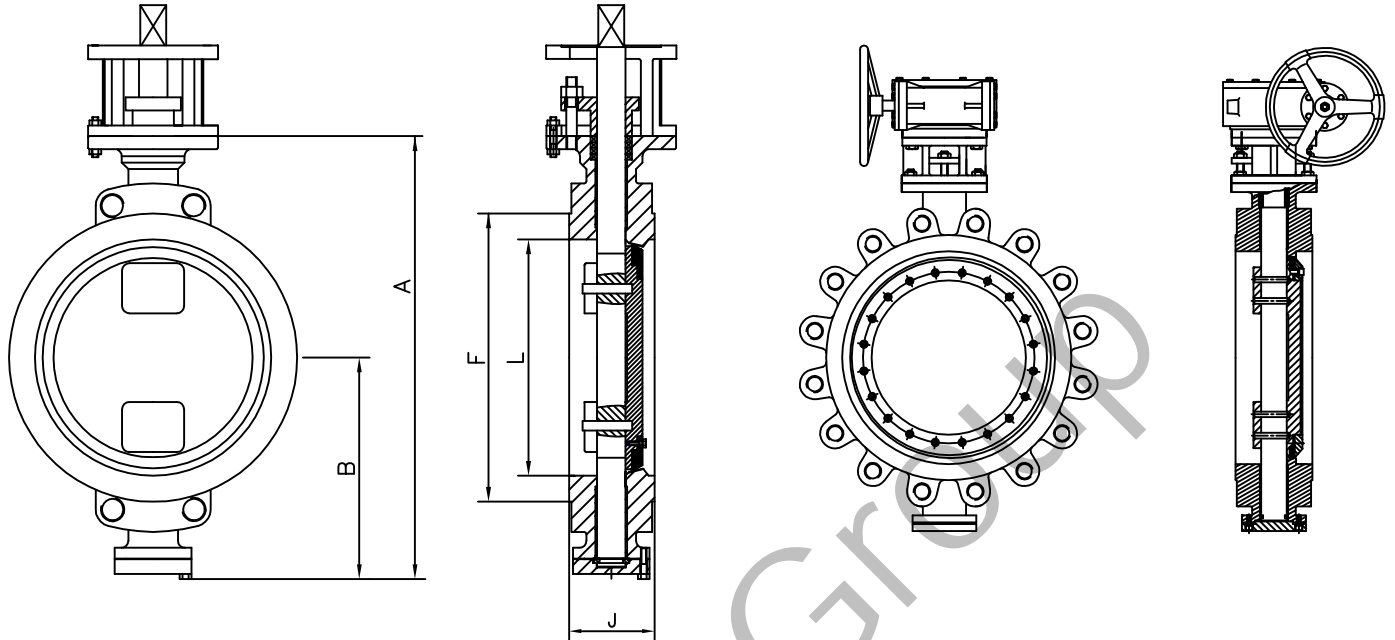


Butterfly Valve Class 150 – ARTEK GROUP SRL



Typical Bill for BUTTERFLY WAFER and LUG SOFT SEATED

Component	TY White PTFE/PTFE	TY Red PTFE/SS316	TY Blue Rubber/G.25-GS400
Body	G.25/GS.400/Carb. Steel/SS304-SS316L	G.25/GS.400/Carb. Steel/SS304-SS316L	G.25/GS.400/Carb. Steel/SS304-SS316L
Disc	GS.25 Coated PTFE	ASTM A351CF3M	GS.25/GS.400/G.25 Powder Coated
Stem	SS316L	SS316L	SS416
Seat	PTFE	PTFE	EPDM/Viton/Buna/Silicone/PTFE
Seal	Buna/Viton	Buna/Viton	Buna/Viton
Stop Pin	SS316L	SS316L	SS416
Cap Screw	ASTM A105/SS316L	ASTM A105/SS316L	ASTM A105/SS316L
Level Operator	2" Thru 6" Included	2" Thru 6" Included	2" Thru 6" Included
Gear Operator	6" Optional and Larger	6" Optional and Larger	6" Optional and Larger

Typical Bill for BUTTERFLY WAFER / LUG METAL to METAL

Component	TY Grey Double/Triple Eccentric
Body	ASTM A216WCB/A351CF8M-CF3M/BZ-ALL/Duplex/Super Duplex
Disc	ASTM A216WCB/A351CF8M-CF3M/BZ-ALL/Duplex/Super Duplex
Stem	ASTM A182F6/SS304/SS316L/A182F51/A182F55
Seat	STL6/SS316L
Seal	Lamellar Ring/V-Ring Hastelloy C-276
Stop Pin	ASTM A182F6/SS304/SS316L/A182F51/A182F55
Cap Screw	ASTM A105/SS304/SS316L/A182F51/A182F55
Level Operator	N/A
Gear Operator	For All Sizes

Class 150

Size	nps	3	4	5	6	8	10	12	14	16	18	20	24
	dn	80	100	125	150	200	250	300	350	400	450	500	600
A	mm	255	270	330	360	400	484	564	642	750	790	870	1005
B	mm	128	147	172	190	210	250	288	320	364	390	432	490
F	mm	152,4	190,5	215,9	241,3	298,4	361,9	431,8	476,2	539,7	577,8	635	749,3
L max	mm	61	82	109	134	180	226	276	310	352	404	448	538
J	mm	48	54	57	57	64	71	81	92	102	114	127	154
Weight	kg	17	24	30	34	40	62	95	106	155	206	268	406